



Door Closer

# DORMA TS 72

## The ideal solution for doors up to 1100 mm wide – tested and approved to EN 1154

The DORMA TS 72 is the ideal multi-purpose door closer for all standard door designs and constructions. Without a backplate, it is particularly easy and quick to fix.

The spring strength can be individually adapted to the

door size by means of an adjusting screw.



Quality assured manufacture to DIN ISO 9001, EN 29001, BS 5750. Certified and verified by BSI Quality Assurance Reg.-No. Q 6423, FM 10756

### Benefits

#### For the trade

- Just one model for all standard doors.
- Increased stocking flexibility thanks to use of the standard ClassicLine series arm.

#### For the installer/fabricator

- Non-handed design.
- Closing force, closing speed and latching action adjustable in just a few movements.

#### For the architect/specifier

- Outstanding value for money.
- Compact construction combined with timeless design.

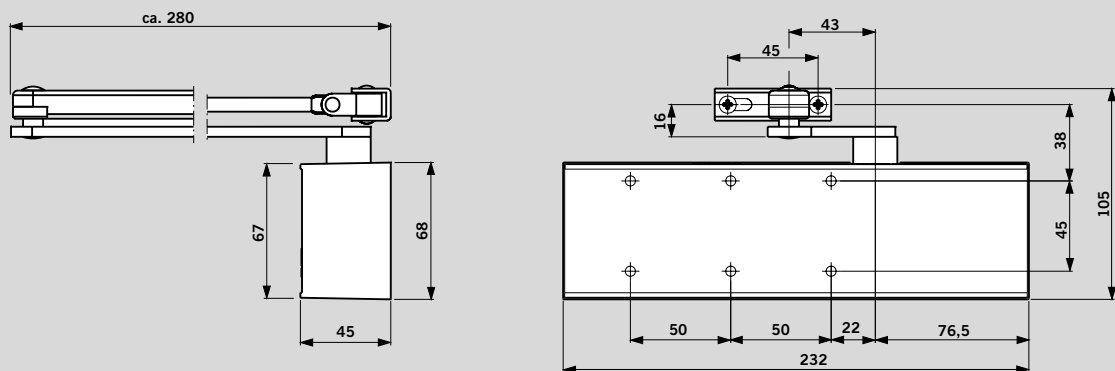
#### For the user

- Constant closing action virtually unaffected by temperature fluctuations.
- Optimum closing speed adjustment with two regulating valves.
- Reliable closing with adjustable latching action.

Data and features		TS 72
Spring strength adjustable	Size	EN 2 – 4
Standard doors	≤ 1100 mm <sup>1)</sup>	●
External doors, outward opening		–
Fire doors		–
Non-handed		●
Arm type	Standard	●
	Slide channel	–
Closing speed adjustable at 2 separate valves	180° – 15° 15° – 0°	●
Latching action adjustable (by arm)		●
Backcheck		–
Delayed action		–
Hold-open		○
Weight in kg		1.2
Dimensions in mm	Length Overall depth Height	232 45 68
Door closer tested and approved to EN 1154		●

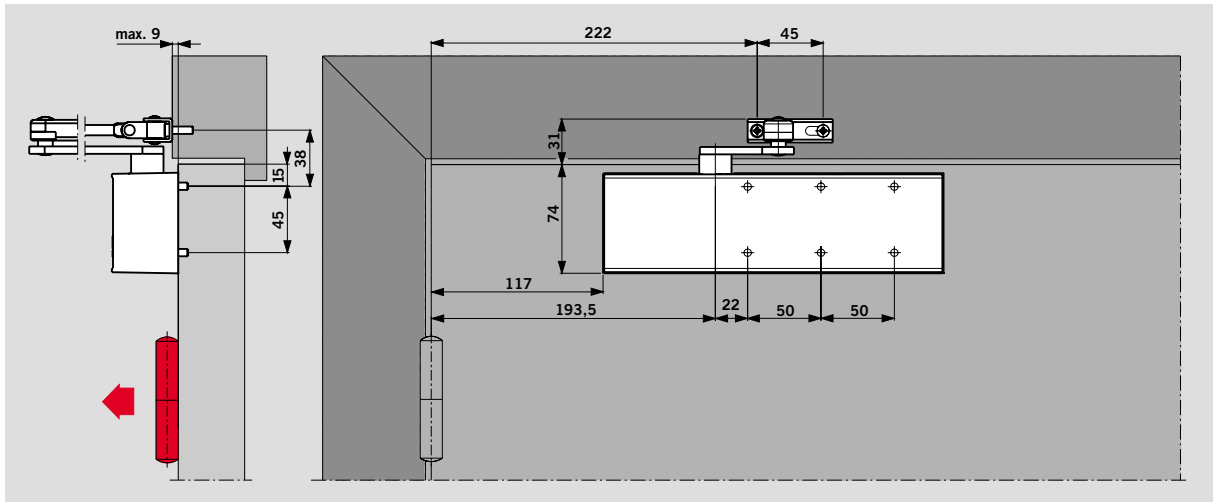
● Yes – No ○ Option

<sup>1)</sup> With parallel-arm fixing, the closing force is approx. 20 Nm (for doors up to 950 mm)



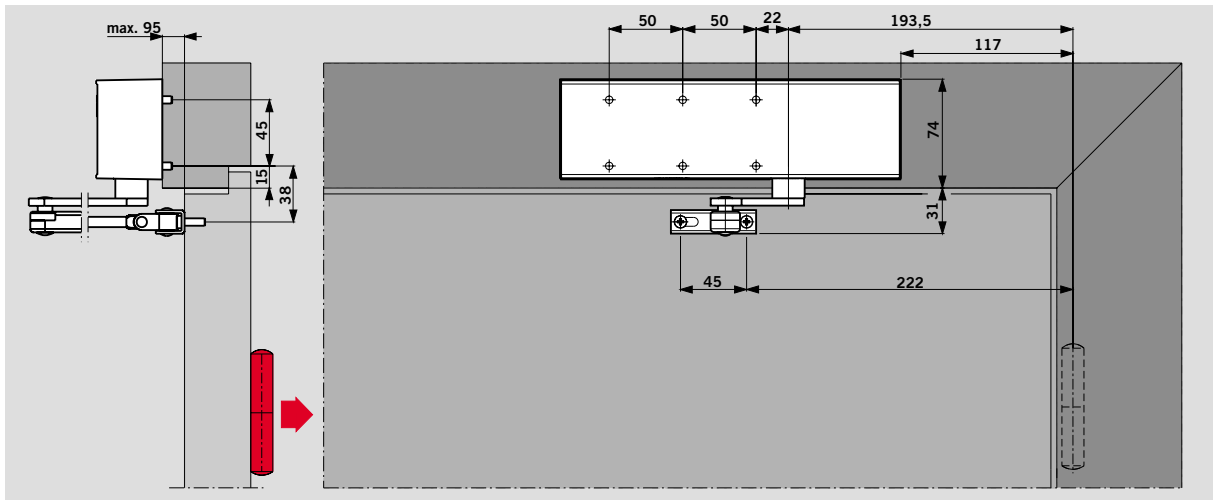
## Door leaf fixing, pull side

(Example refers to left-hand [ISO 6] door; mirror image applies to right-hand [ISO 5] door)



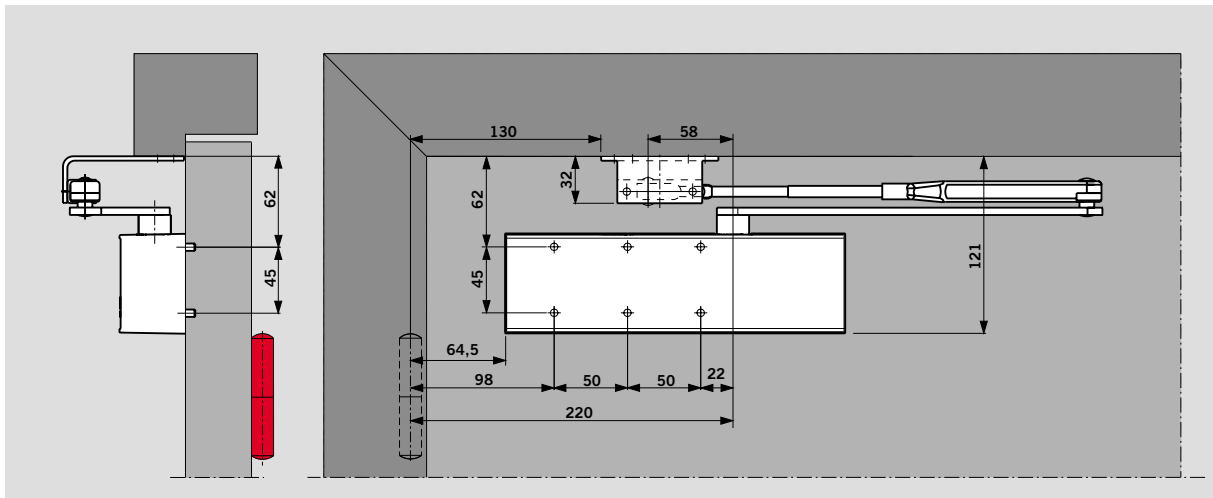
## Transom fixing (overhead frame installation), push side

(Example refers to left-hand [ISO 6] door; mirror image applies to right-hand [ISO 5] door)



## Parallel-arm fixing, push side

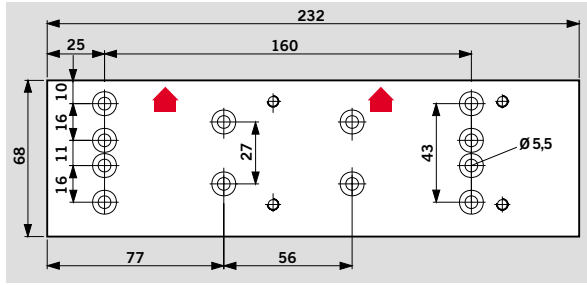
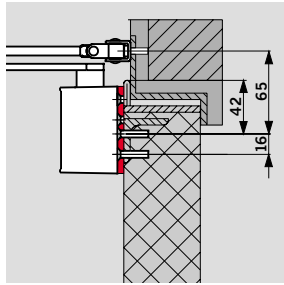
(Example refers to left-hand [ISO 6] door; mirror image applies to right-hand [ISO 5] door). Parallel-arm bracket (accessory) necessary



With this fixing method, the closing force is approx. 20 Nm (for doors up to 950 mm)

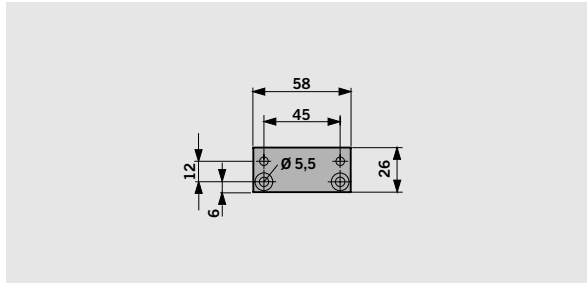
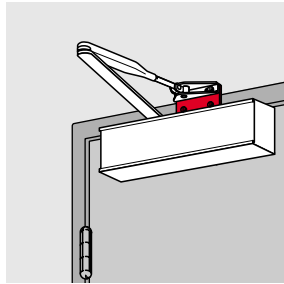
**Mounting backplate**

For fixing to doors on which the closer cannot be directly installed. Drilled hole pattern as per EN 1154, Supplement 1.



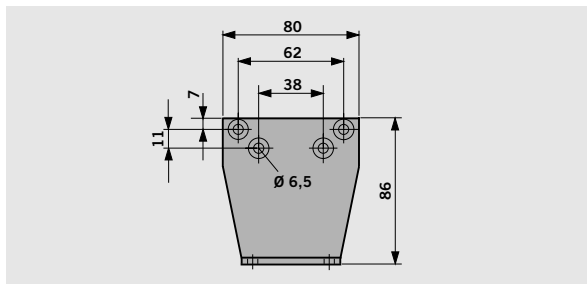
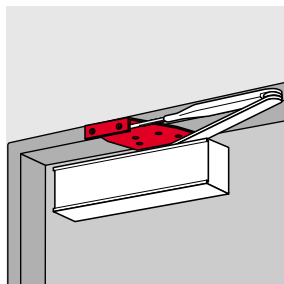
**Upstand hinge bracket**

For fixing the arm to particularly narrow door frames.



**Fixing bracket**

For the parallel-arm configuration.



### Standard and optional functions

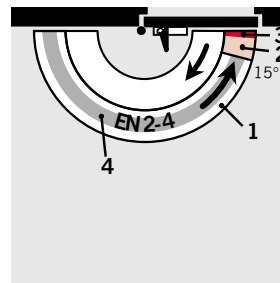
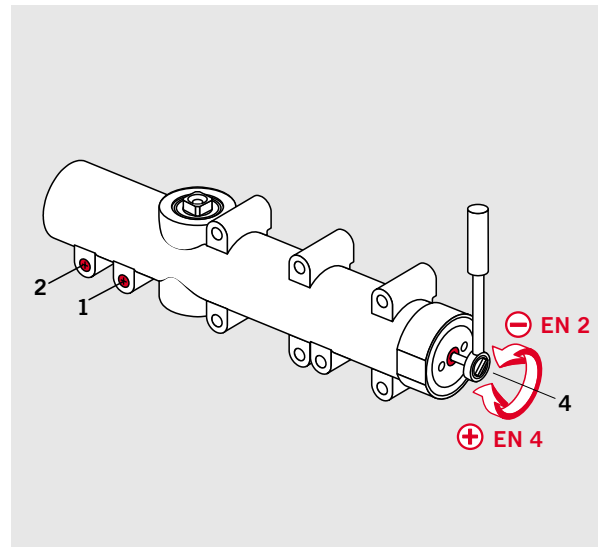
The **closing speed** of the DORMA TS 72 is variable in two independent ranges by separate valves.

In addition, the **latching action** can be adjusted at the closer arm.

The **closing force (size setting)** for the door width concerned is variable at the adjustment screw located at the end face of the TS 72 closer body.

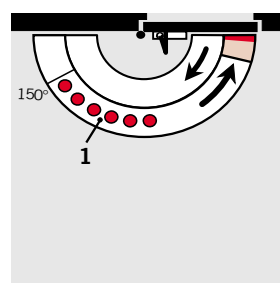
#### Closing force settings

Door width	Setting
≤ 850	EN 2
≤ 950	EN 3
≤ 1100	EN 4



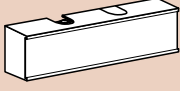

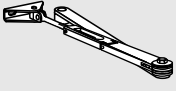
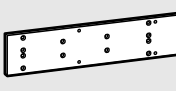

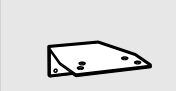


- 1 Closing speed adjustable in the range 180° – 15°.
- 2 Closing speed adjustable in the range 15° – 0°.
- 3 Latching action (variable at arm).
- 4 Adjustable closing force.

If the DORMA TS 72 is installed with a **hold-open arm**, the doors can be held open at any desired point (up to approx. 150°).

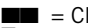


- 1 Hold-open range

**Standard equipment and accessories**

Closer body TS 72  	Standard arm   <input type="checkbox"/> 220023xx	Hold-open arm   <input type="checkbox"/> 220025xx	Mounting backplate   220021xx	Hinge plate   830014xx	Parallel-arm bracket   280066xx
Size EN 2 – 4  222321xx			#	#	#

Order No.:

 = Closer separate

= Arm assembly separate

# = Accessory

<b>Colour</b>	<b>xx</b>
Silver	01
Dark brown	03
White (sim. to RAL 9010)	10
White (sim. to RAL 9016)	11
Special colour	09

**Specification text**

Rack-and-pinion door closer with adjustable closing force, size EN 2 – 4, closing speed adjustable in two independent ranges, with adjustable latching action. Non-handed. Tested and approved to EN 1154.

- Model**
- with standard arm
  - with hold-open arm
- Accessories**
- Mounting backplate
  - Upstand hinge plate
  - Fixing bracket for parallel-arm assembly

- Colour**
- Silver
  - Dark brown
  - White (sim. to RAL 9010)
  - White (sim. to RAL 9016)
  - Special colour \_\_\_\_\_ (sim. to RAL \_\_\_\_\_)

**Make** DORMA TS 72

**DORMA Door Controls Pte. Ltd.**  
No. 2, Jalan Terusan, Jurong  
Singapore 619285  
Rep. of Singapore  
Tel. 0065 2687633  
Fax 0065 2657914

**DORMA Door Controls Pty. Ltd.**  
P.O. Box 1092  
Narre Warren Vic 3805  
52 Abbott Road  
Hallam Victoria 3803  
Australia  
Tel. 0061 3/97 96 35 55  
Fax 0061 3/97 96 39 55

**DORMA Gulf Door Controls FZE**  
Jebel Ali Free Zone, Roundabout 8,  
Unit VC 02  
P.O. Box 17268  
Jebel Ali, Dubai  
United Arab Emirates  
Tel. 00971 48 /83 90 14  
Fax 00971 48 /83 90 15

**DORMA Door Controls (Pty.) Ltd.**  
Kings Court  
P.O. Box 82182  
2135 Southdale · South Africa  
Tel. 0027 11/8 30 02 80  
Fax 0027 11/8 30 02 91

**DORMA GmbH + Co. KG**  
P.O. Box 40 09  
58247 Ennepetal  
Breckerfelder Straße 42-48  
58256 Ennepetal  
Germany  
Tel. +49(0)23 33/7 93-0  
Fax +49(0)23 33/79 34 95

The address of a subsidiary/representation in your area you can find at the DORMA-website: [www.dorma.com](http://www.dorma.com)